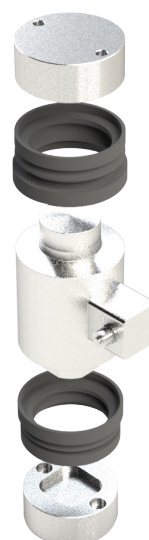
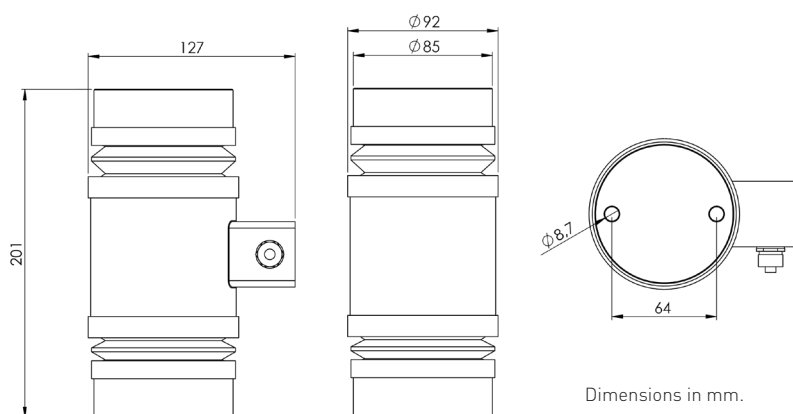


MC-CT

10T, 15T, 20T, 25T, 30T, 40T, 50T



GROUP

GRUPO JOSÉ PIMENTA MARQUES

www.grupojpm.pt

LOAD CELL

MC-CT

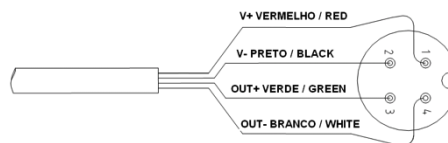
CHARACTERISTICS

- Compressed load cell.
- Made entirely of stainless steel.
- With self-pivoting system.
- 3500 Divisions O.I.M.L. R60 (class C3.5).
- Insulation resistance: > 5000 MΩ.
- Hermetic sealing by laser welding, IP68 according to EN 60 529 (IEC 529).
- Protection against electric shock.
- Application: high-load weighing systems, weighbridges.
- With connector positioned in the upper region of the cell for better fixation and protection.
- Uses anti-rodent cables.
- Supply voltage: 5-12V DC.
- Included accessories: 2 cell holders, 2 seals and 1 copper mesh.



TECHNICAL PARAMETERS

Sensitivity: 2.0 ± 0.002 mV/V
Creep (30 min): $\pm 0.0167\%$ F.S
Entry Resistance: $700 \pm 10\Omega$
Output Resistance: $703 \pm 3.5\Omega$
Isolation Resistance: > 5000 MΩ
Operating Temperatures: -10 a 40°C
Security Limit Load: 150% Fs
Rupture Overload: 250% Fs
Recommended Tension Excitation: 5-12 V DC
Maximum Tension Excitation: 15 V DC
Construction Material: Stainless steel
Cable Length: 10 – 14 m (max. 15m)



Wiring diagram

MODEL	NOMINAL CAPACITY (Ln)	REFERENCE
MC-CT 10T	10000 kg	30901211000B
MC-CT 15T	15000 kg	30901211500B
MC-CT 20T	20000 kg	30901212000B
MC-CT 25T	25000 kg	30901212500B
MC-CT 30T	30000 kg	30901213000B
MC-CT 40T	40000 kg	30901214000B
MC-CT 50T	50000 kg	30901215000B

See the price list



www.balancasmarques.com
facebook.com/balancasmarques

HEAD OFFICE

Edifício Balanças Marques
Parque Industrial de Celeirós, 2ª Fase
Apart. 2376
4701-905 Braga - PORTUGAL

LISBON SUPPORT CENTER

Rua Actriz Adelina Fernandes 15A Dto.
2795-005 Linda-a-Velha
Lisboa - PORTUGAL

T +351 253 309 830
F +351 253 672 882
email internacional@balancasmarques.pt